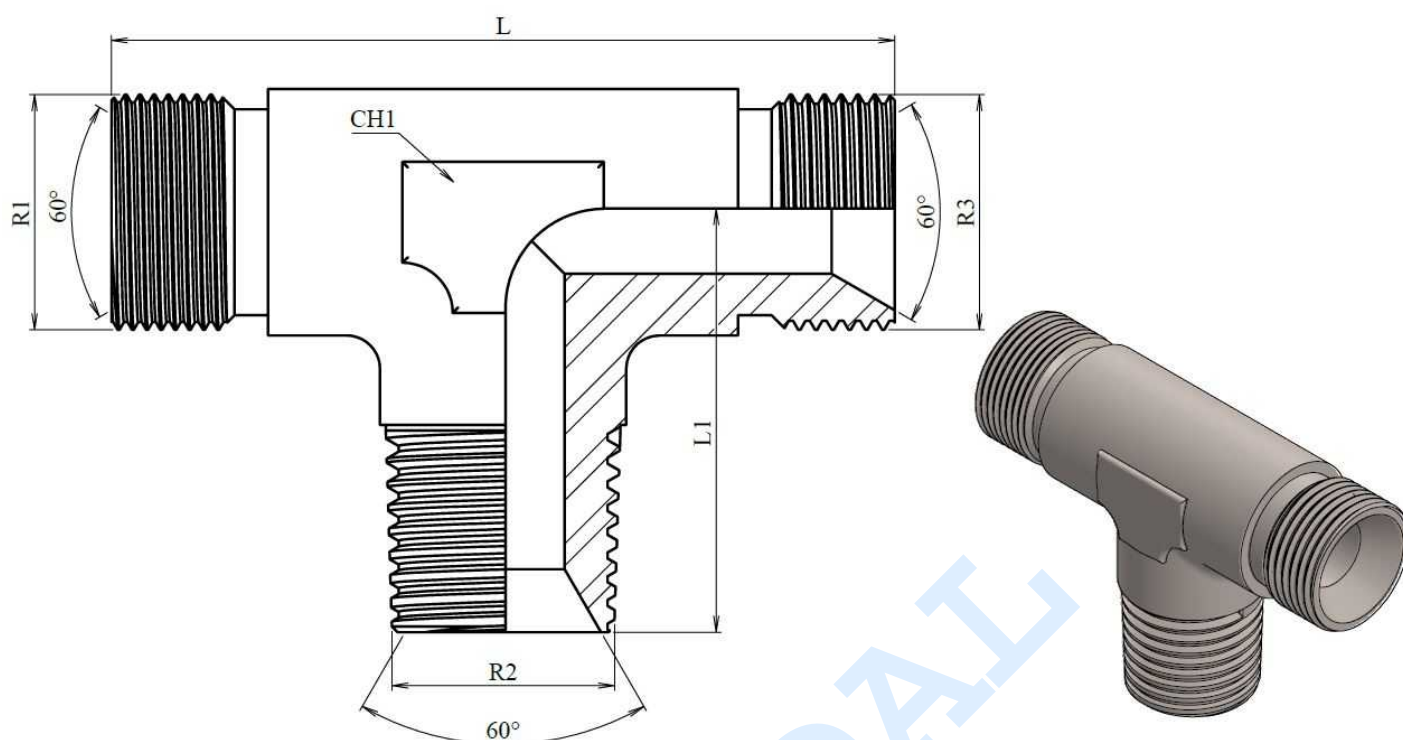


Adaptadores BSP

Te y cruces en forja

Tes macho BSP 60º - macho NPT central - macho BSP 60º



Artículo	R1	R2	R3	L	L1	CH1
Z12210404	1/4" BSP	1/4" NPT	1/4" BSP	52	27	14
Z12210606	3/8" BSP	3/8" NPT	3/8" BSP	60	31	17
Z12210808	1/2" BSP	1/2" NPT	1/2" BSP	61	35,5	24
Z12211212	3/4" BSP	3/4" NPT	3/4" BSP	84	40	27
Z12211616	1" BSP	1" NPT	1" BSP	94	50	36